



Connector Roofpole, a presentation

Connector Roofpoles are foremost used to carry sector antennas and TMA, when they are to be built in inside a Plexiglas tube by esthetical reasons.

There are possibilities to set up 3 sector antennas within 0.23 m in a Connector prefabricated antenna package. It is also possible to install several packages above each other. Antennas and TMA can be erected at site on Connector Roof pole if the diameter of the cover > 300 mm.

When you will simplify the antenna installation on site for example at hard roof sites the roof pole and antenna package will suit well.

The roof poles are also useful at traditional visible antenna installations.

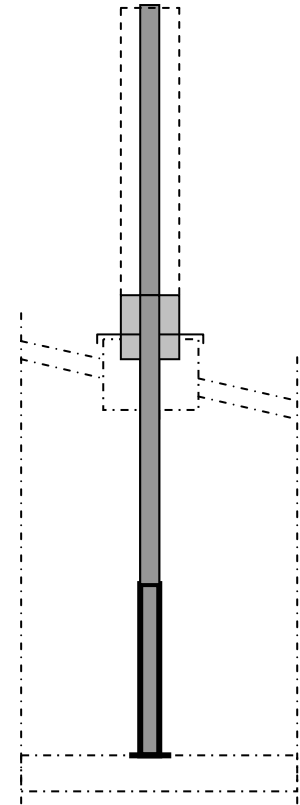
Guide lines before use

Connector roof poles are manufactured according to the information from the customer's site investigation. All feeders are coming up from the inside of the roof. The roof pole has a telescope function to suite different heights between floor and roof.

The loads from the pole to the roof are just horizontal reactions, witch are easy to handle. The cover above on by customer site built up waterproof roof entrance is integrated to the pole. Every delivery commitments are supplied with all necessary instructions.

Delivery commitments

Connector roof pole include the telescopic steel rod from the bottom with a the footplate in the level of the floor to the top of the steel rod. The cover steel plate and the integrated entrance tube are also included. The roof pole commitments are in grey in the sketch closed to. The roof pole will be delivered in three parts. The roof poles are made of hot dip galvanized steel. Fittings and accessories as Connector Antenna package or Plexiglas tube may be delivered as complements if agreed.



The sketch above shows the principles of the Connector Roof pole.



The photo shows a Connector antenna package useful to Connector roof poles.

Other presentations of Connector poles and masts

Connector tower.

Connector mast.

Connector monopole.

Connector roof poles.

Connector flex poles 0.2-0.3m

Connector flagpoles.

Connector antenna packages 0.23- 0.30 m

Design, sales and manufacture:

Connector masts are marked by Designpartners.

Designpartners; Badhusgatan 10. S 722 15
Västerås

Tele: 004621 18 36 49 or 18 36 06

Fax: 004621 13 22 64

e-post: connector@designpartners.nu

Homepage: www.designpartners.nu

Design facts

The sector antennas and TMA may be installed inside a coloured Plexiglas tube or in a Connector Antenna package if there is esthetical reasons otherwise the installation will be done in a traditional way as an exposed antenna installation.

Teflon plate with holes fore the steel rod and the feeders and tightened with waterproof grommets.

